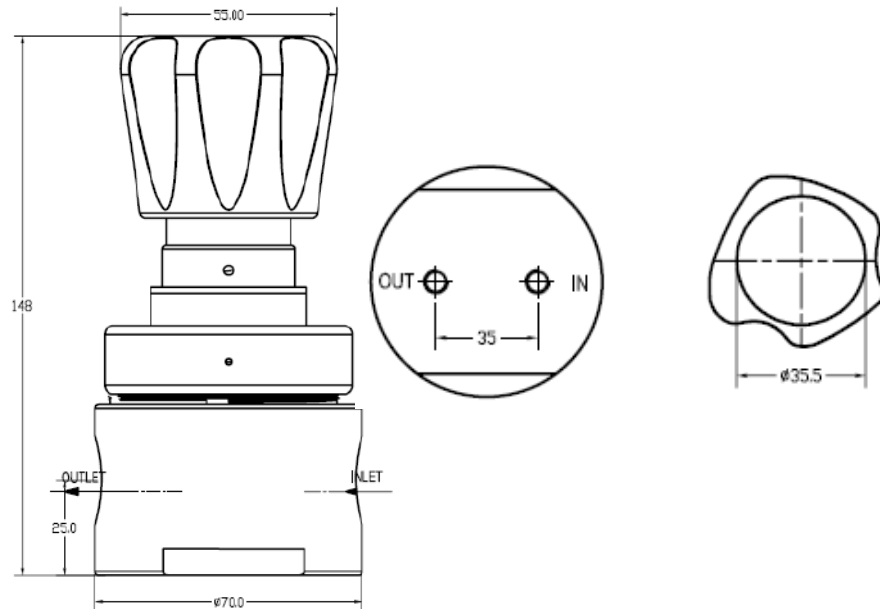


R23 Series Medium Volume Stainless Steel Pressure Reducing Valve

R23 Series Medium Volume Stainless Steel Pressure Reducing Valve is using large area diaphragm structure with good output pressure stability and high sensitivity. Widely used in a medium flow volume gas distribution system.



Product Features

- Large volume
- Compact design
- Output pressure stable
- Metal seal between diaphragm and body
- Metal diaphragm ensures output stability and service life
- Multi-output pressure range
- Optional panel mounting

Construction Materials

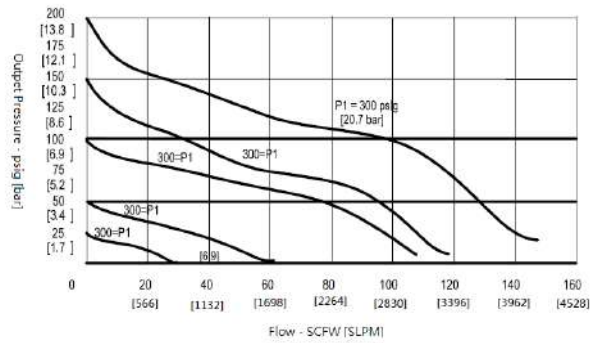
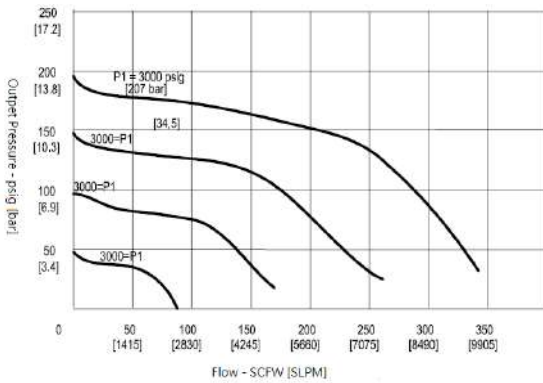
- Valve Body: SUS 316 / 316L
- Poppet : SUS 316 / 316L
- Valve Seat : PTFE / PCTFE
- Other Component : SUS 304



Operation Parameters

- Inlet Connections : 3/4" NPT
- Maximum input pressure : 500 / 3500 Psi
- Output pressure range : 0-50, 0-150, 0-250, 0-500 Psi
- Operation temperature : -40 ~ 74°C
- Leakage rate : 1×10^{-6} atm.cc/sec He
- Cv : 1.3 (Optional 1.8)

Flow Data



Ordering Information

Series	Seat Materials	Inlet Pressure	Outlet Pressure	Inlet Connections	Outlet Connections	Options
R23	P	A	D	00	00	P
	P:PTFE C:PCTFE	A: 3000 psi B: 500 psi	D: 50 psi E: 150 psi F: 250 psi	00: 3/4"NPT(F) 01: 3/4"NPT(M) 11: 3/4"LOK 12: 20mmLOK	00: 3/4"NPT(F) 01: 3/4"NPT(M) 11: 3/4"LOK 12: 20mmLOK	

